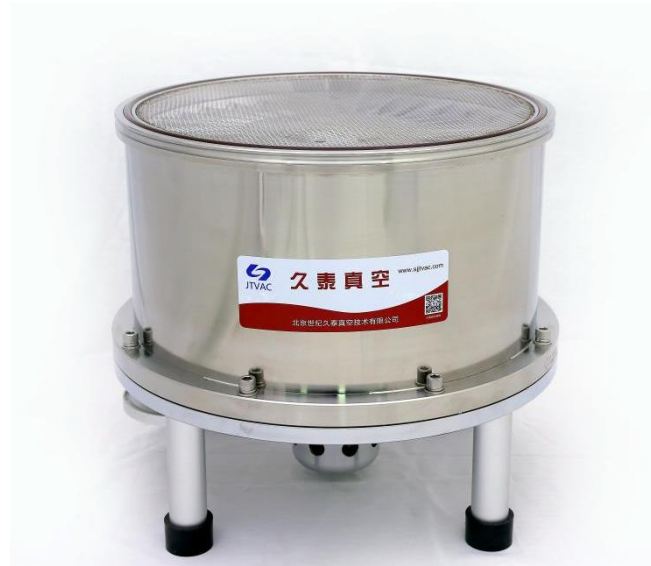




Shock resistant turbo molecular pump



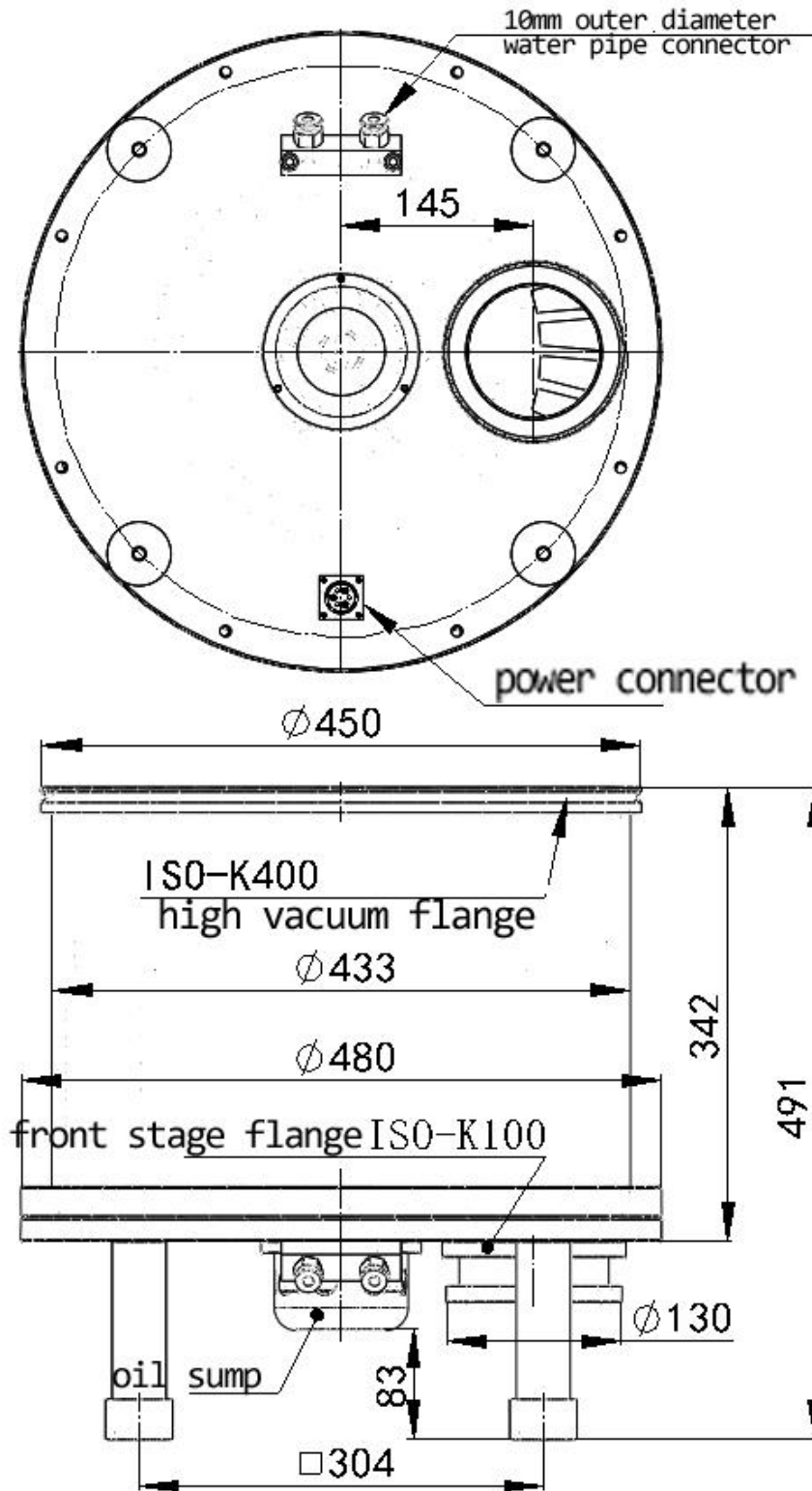
Parameters Table

JTFB-4000 Technical parameter table of turbomolecular pump		
Model number	JTFB-4000	
Air intake flange	400 ISO-K	
Exhaust port flange	100 ISO-K	
Pumping rate(L/S)(For air)	4000	
Compression ratio	N ₂	>10 ⁻⁸
	H ₂	>5*10 ⁻²
Ultimate pressure(Pa)	<2*10 ⁻⁶	
Rated speed(rpm)	15000	
Vibration value (μm)	≤0.15	
Start-up time(min)	<18	
Down time(min)	<25	
Recommended use of the front stage pump (L / S)	30-70	
Cooling mode	water-cooling	
Cooling water temperature (°C)	≤25	
Cooling water flow(L/min)	2 L/min	
Pump body baking temperature (°C)	<120	
Mounting direction	Vertical ±5°	
Pump weight(kg)	≈100	

JTFB-4200		Technical parameter table of turbomolecular pump	
Model number		JTFB-4200	
Air intake flange		400 ISO-K	
Exhaust port flange		100 ISO-K	
Pumping rate(L/S)(For air)		4200	
Compression ratio	N ₂	>10 ⁻⁸	
	H ₂	>5*10 ⁻²	
Ultimate pressure(Pa)		<2*10 ⁻⁶	
Rated speed(rpm)		15600	
Vibration value (μm)		≤0.15	
Start-up time(min)		<18	
Down time(min)		<25	
Recommended use of the front stage pump (L / S)		30-70	
Cooling mode		water-cooling	
Cooling water temperature (°C)		≤25	
Cooling water flow(L/min)		2 L/min	
Pump body baking temperature (°C)		<120	
Mounting direction		Vertical ±5°	
Pump weight(kg)		≈100	

Selection table

JTFB-4000



JTFB-4200

