



JTFB-1600 Composite molecular pump

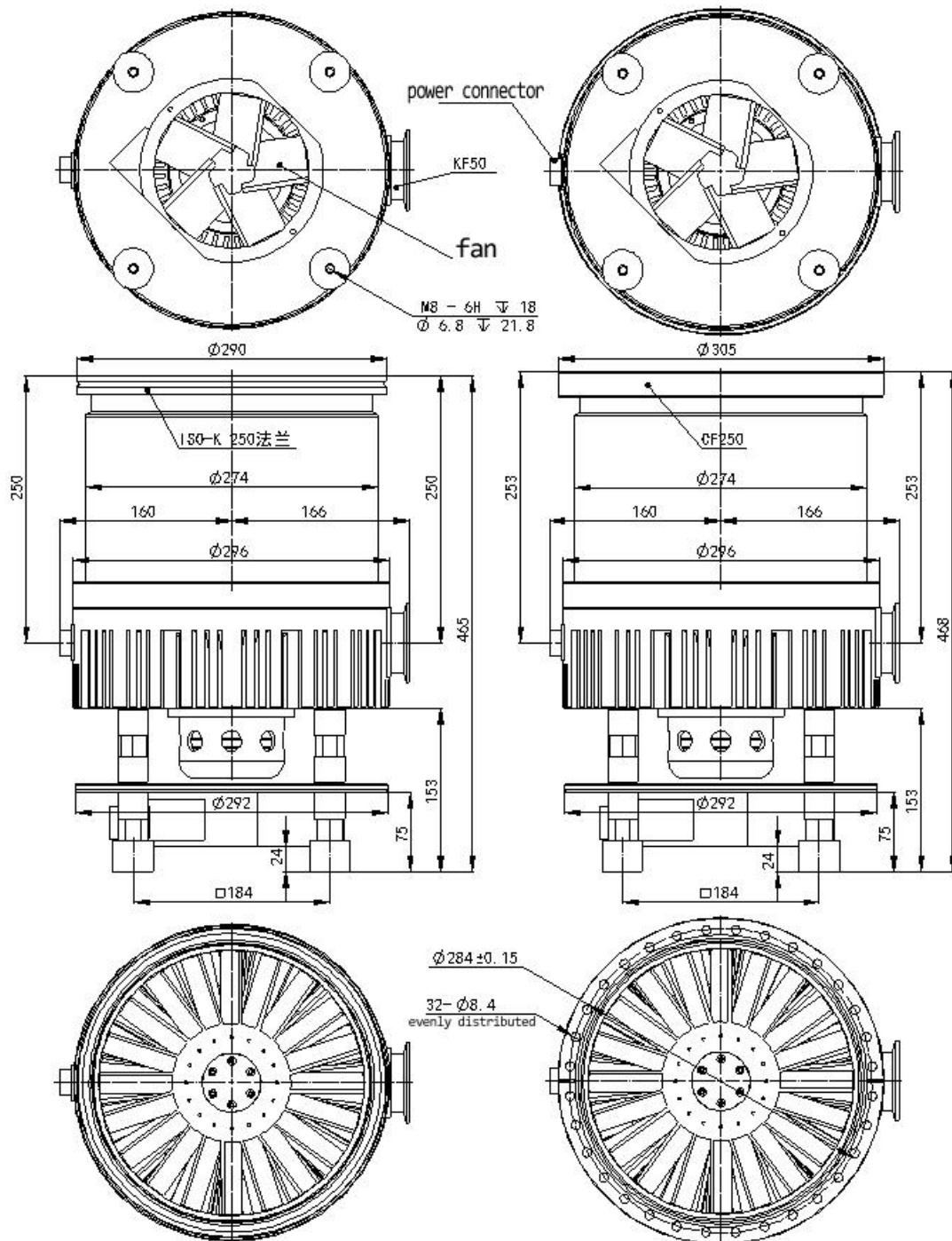


Parameters Table

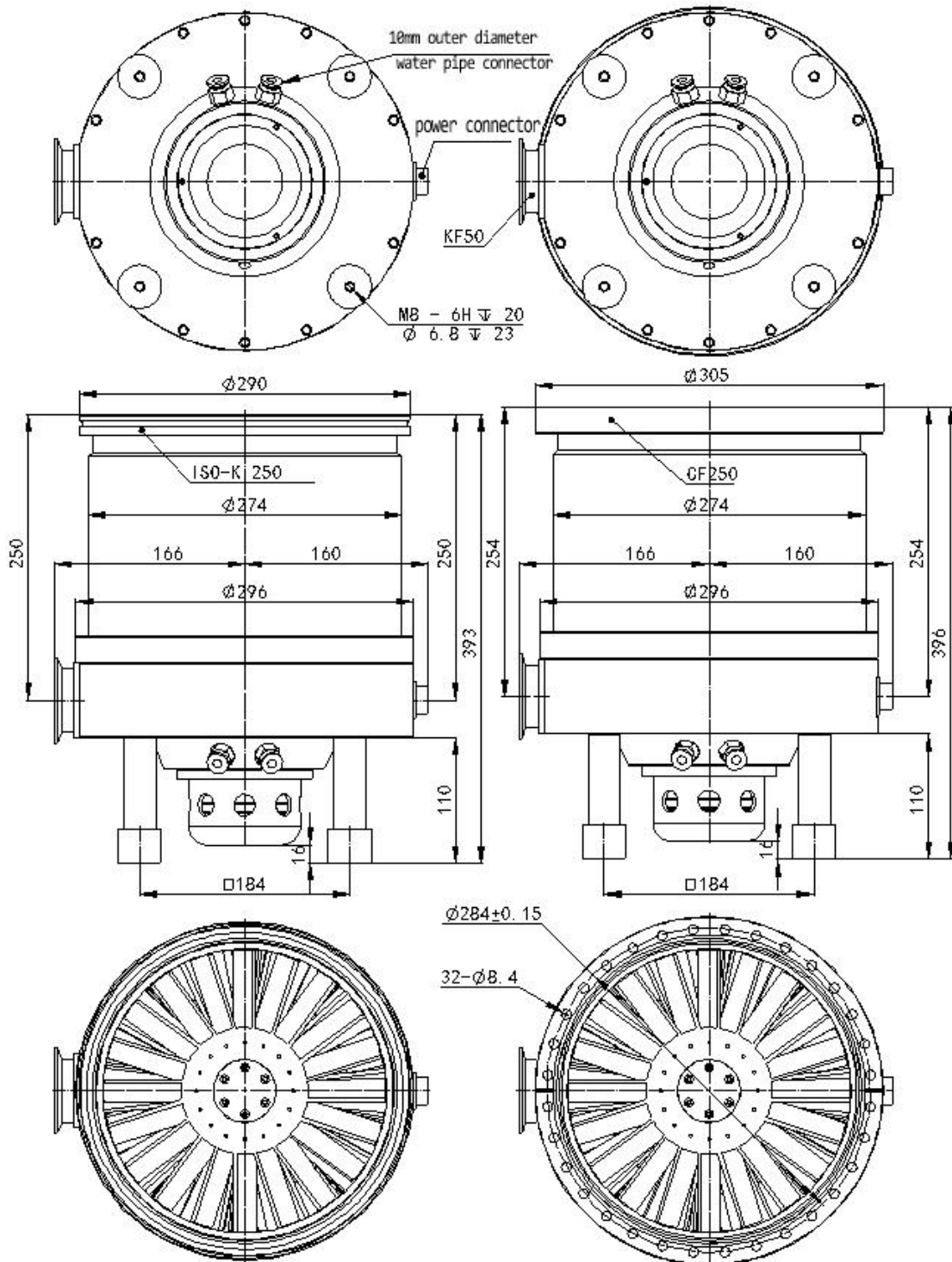
Technical data	JTFB-1600	
High vacuum flange(mm)	250 CF	250 ISO-K
Front pipe flange(mm)	50KF	
Bleed rate(L/S)	1600	
Compressed Rate(N ₂)	>1*10 ⁹	
Compressed Rate(H ₂)	>1*10 ⁴	
Ultimate Vacuum(Pa)	<8*10 ⁻⁸	<5*10 ⁻⁷
Rotary speed(rpm)	27000	
Vibration	≤0.15μm	
Starting Time(Min)	<6	
Suggested rotary pump	15 L/S	
Cooling Method	water cooling(air cooling)	
Cooling Water Temp(°C)	≤25	
The flow of water cooling (L/min)	1-2 L/min	
Heater input voltage(v)	Vertical ±5°	
Weight(Kg)	31	

Selection table

Air cooling



Water cooling



Compression ratio curves for nitrogen and hydrogen

