



JTFB-650Z Grease lubricated turbomolecular pump

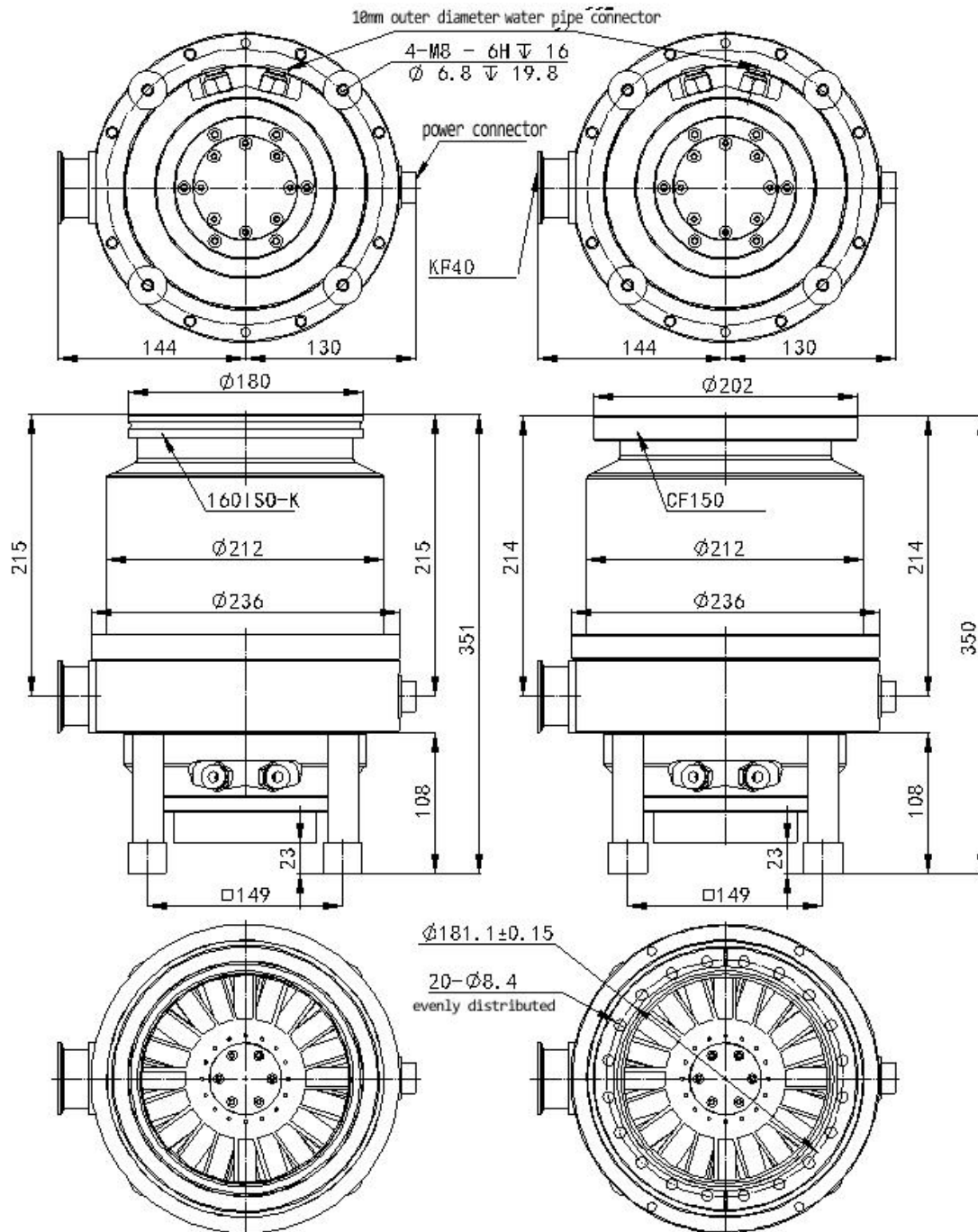


Parameters Table

Technical data	JTFB-1300Z	
High vacuum flange(mm)	150 CF	150 ISO-K
Front pipe flange(mm)	40KF	
Bleed rate(L/S)	650	
Compressed Rate(N ₂)	>1*10 ⁹	
Compressed Rate(H ₂)	>1*10 ³	
Ultimate Vacuum(Pa)	<8*10 ⁻⁸	<5*10 ⁻⁷
Rotary speed(rpm)	24000	
Use bearing	Grease lubricated ceramic bearing	
Vibration	≤0.1μm	
Starting Time(Min)	<5	
Suggested rotary pump	4-8 L/S	
Cooling Method	Water cooling(Air cooling)	
Cooling Water Temp(°C)	≤25	
Heater input voltage(V)	Any angle	
Weight(kg)	22	

Selection table

water cooling



Air cooling

