



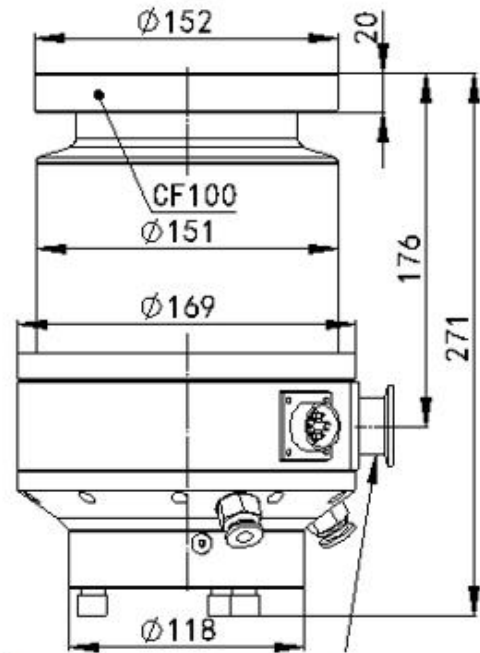
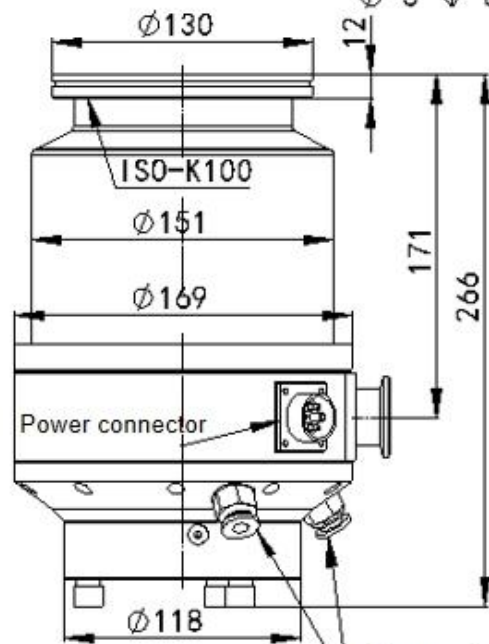
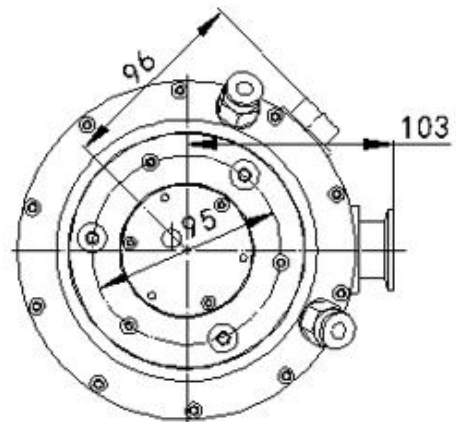
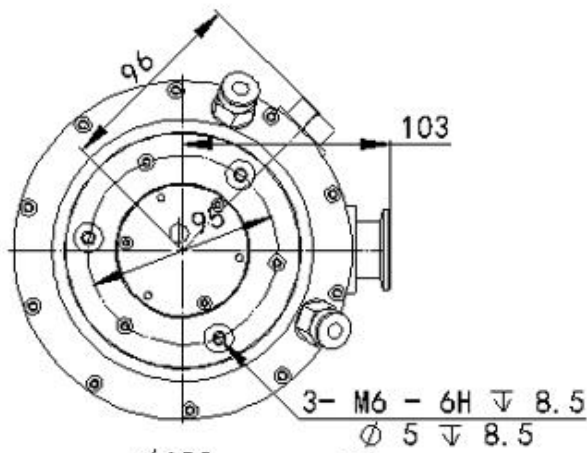
JTFB-300Z Grease lubricated turbomolecular pump



Parameters Table

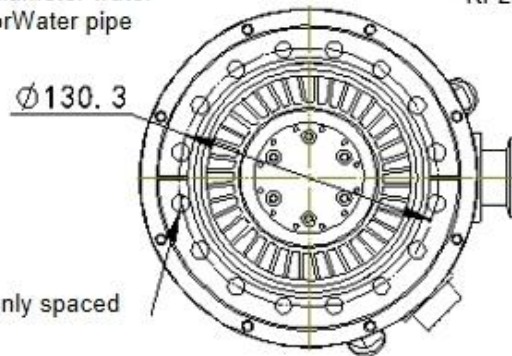
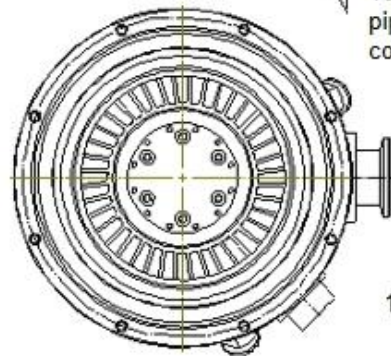
Technical data	JTFB-300Z	
High vacuum flange(mm)	100 CF	100 ISO-K
Front pipe flange(mm)	25KF	
Bleed rate(L/S)	300	
Compressed Rate(N ₂)	>1*10 ⁸	
Compressed Rate(H ₂)	>1*10 ³	
Ultimate Vacuum(Pa)	<3*10 ⁻⁷	<2*10 ⁻⁶
Rotary speed(rpm)	33000	
Use bearing	Grease lubricated ceramic bearing	
Vibration	≤0.1μm	
Starting Time(Min)	<4	
Suggested rotary pump	2 L/S	
Cooling Method	Water cooling(Air cooling)	
Cooling Water Temp(°C)	≤25	
Heater input voltage(V)	Any angle	
Weight(kg)	11	

Water Cooling



10mm outer diameter water pipe connector
Water pipe connector

KF25 connector



Compression ratio curves for nitrogen and hydrogen

