



## JTFB-280 Magnetic Levitation Molecular Pump

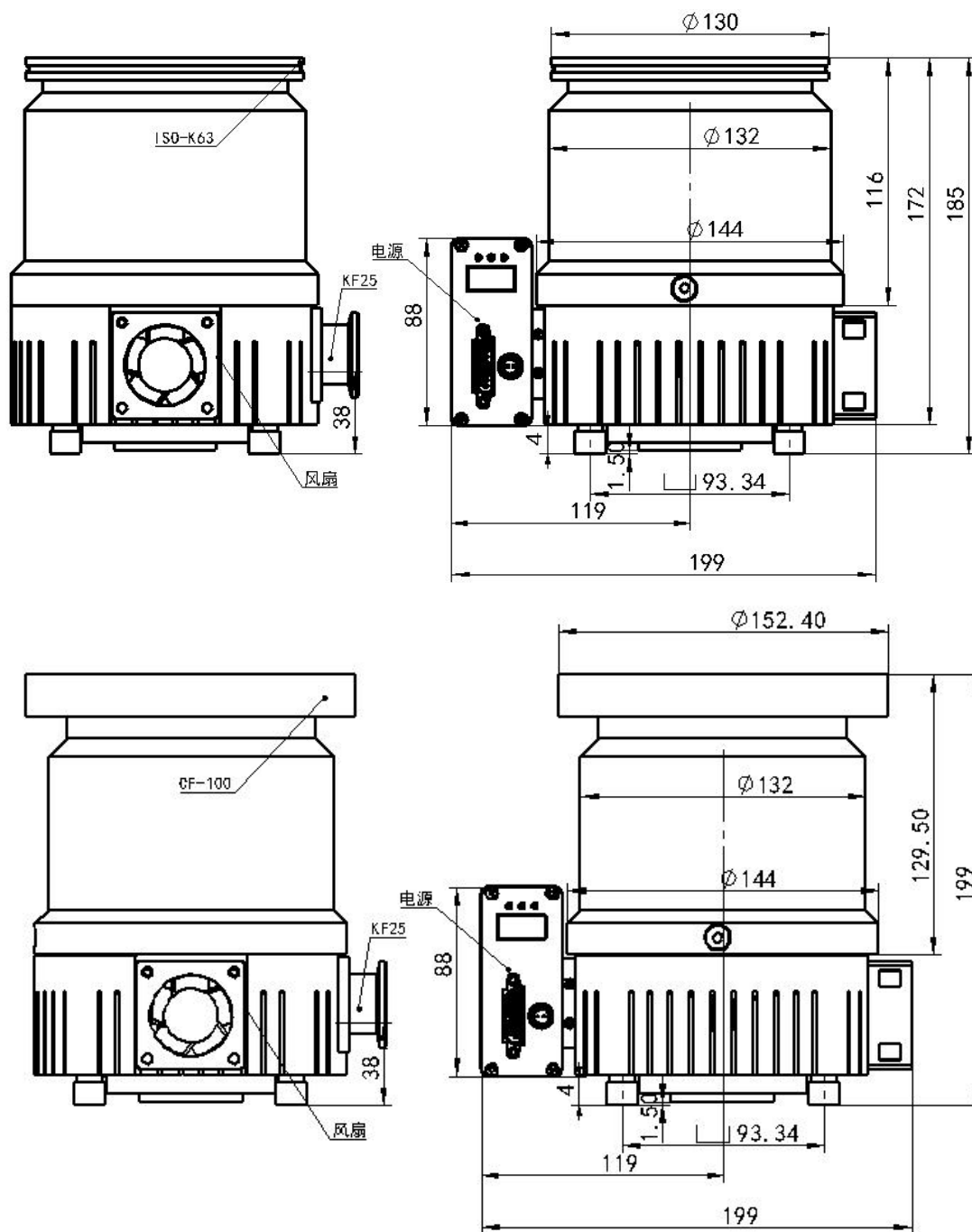


### Parameters Table

name	Specifications
Molecular pump model	JTFB - 100 / 280 - B
Pumping speed	280L/S
Full power input voltage range	24V DC
Control interface	RS-485
Rated power	280W
Maximum radial magnetic field allowed	3.8 mT
Start-up time	5(min)
Output frequency range	0.00~1000Hz
Ultimate vacuum	$5.0 \times 10^{-6}$ Pa
Weight (kg)	about 5.5kg
Cooling method	Air Cooling
High vacuum flange	DN100 ISO-K DN100 CF
Power input	Applicable wire diameter range: $\geq 0.75\text{mm}^2$ or AWG18#
Protection function	Controller over-temperature, motor over-temperature, overload, short circuit, over-current, over-voltage,

	under-voltage, etc.
Motor speed	36000rpm
Vibration value	$\leq 0.1\mu\text{m}$
Installation direction	Any

## Selection table



## **Product features:**

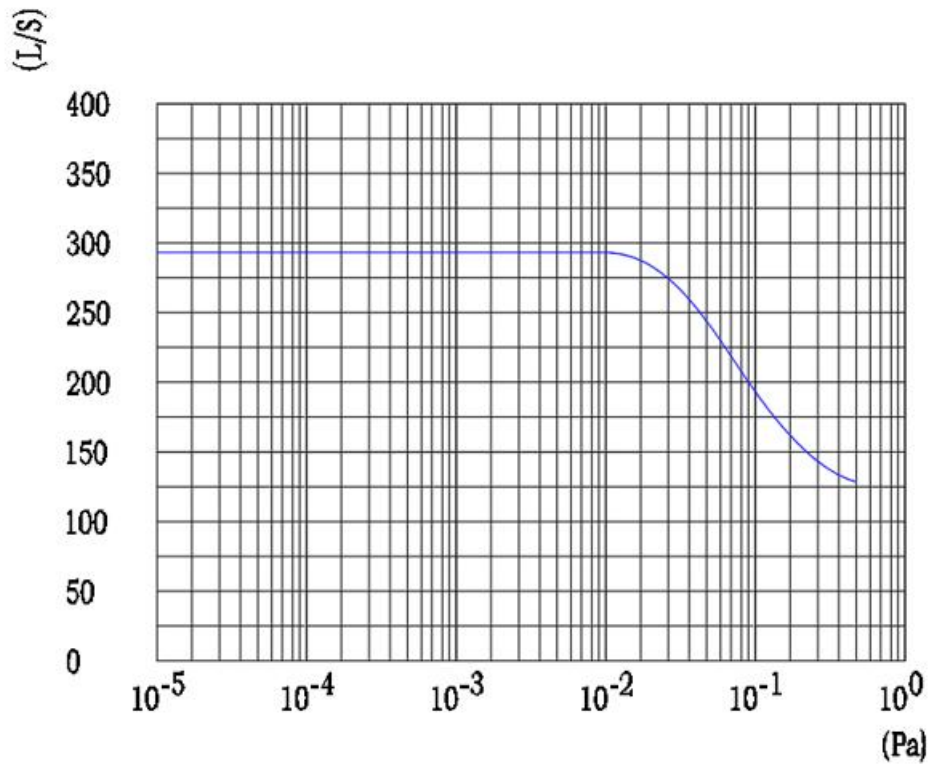
Speed can reach 36000RPM

Compact structure design, easy to integrate, can realize direct operation of molecular pump after 24VDC power supply;

Low power consumption, low vibration, energy saving;

Higher front-stage pressure resistance, suitable for analytical instrument industry;

Can be installed at any angle



**Pumping speed curve of JTFB-280 atmosphere**